

# Braemore Candle Sconce

L4209

A version of a simple single arm C18th wall sconce set into an oval back plate.

UK / EU Version

<b>Depth:</b>	250mm / 9.85"
<b>Height:</b>	150mm / 6"
<b>Width:</b>	95mm / 3.75"

<b>Finishes:</b>	Antique Brass, Antique Silver, Silver, Dark Bronze
------------------	--

<b>Weight:</b>	0.65kg
<b>Material:</b>	Brass
<b>Shade:</b>	Recommended 140mm / 5.5" Base Diameter

<b>Certification:</b>	BSEN 60598
<b>IP Rated:</b>	Yes - can be upgraded with an IP44 rated light unit
<b>Wiring:</b>	Wiring is external along the arm (French wired)

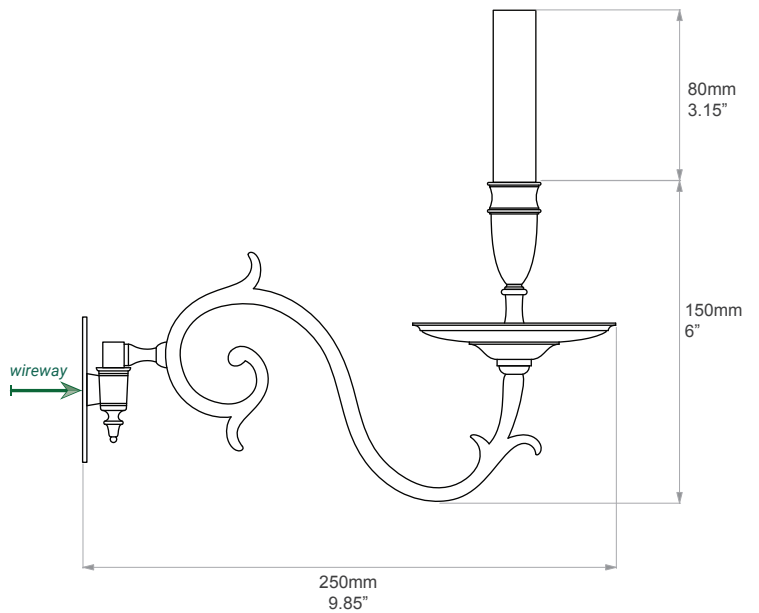
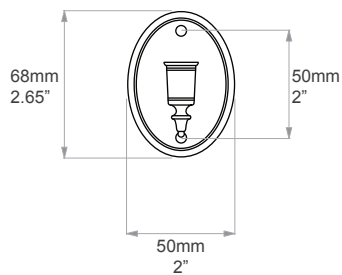
<b>Lamp Holder:</b>	x 1 SBC B15
<b>Input Voltage:</b>	230V
<b>Bulb:</b>	x 1 SBC B15 Candle
<b>Bulb Wattage:</b>	40w max recommended

<b>Additional Info:</b>	Available as candle sconce or alternatively, wired for UK, Europe or USA. Measurements given are approximate. All metal work items are bespoke and hand coloured. This means that each piece is individual and will continue to age over time.
-------------------------	--

FRONT

SIDE

UK Wall Plate



# Braemore Candle Sconce

L4209

A version of a simple single arm C18th wall sconce set into an oval back plate.

US Version

<b>Depth:</b>	275mm / 10.8"
<b>Height:</b>	175mm / 7"
<b>Width:</b>	110mm / 4.3"
<b>Weight:</b>	0.65kg
<b>Material:</b>	Brass
<b>Shade:</b>	Recommended 140mm / 5.5" Base Diameter
<b>Lamp Holder:</b>	x 1 E12
<b>Input Voltage:</b>	110V
<b>Bulb:</b>	x 1 E12 Candelabra
<b>Bulb Wattage:</b>	40w max recommended

<b>Finishes:</b>	Antique Brass, Antique Silver, Silver, Dark Bronze
<b>Certification:</b>	BSEN 60598
<b>IP Rated:</b>	Yes - can be upgraded with an IP44 rated light unit
<b>Wiring:</b>	Wiring is external along the arm (French wired)
<b>Additional Info:</b>	Available as candle sconce or alternatively, wired for UK, Europe or USA. Measurements given are approximate. All metal work items are bespoke and hand coloured. This means that each piece is individual and will continue to age over time.

FRONT

SIDE

US Wall Plate

